

**TRANSMITTAL OF CONTRACTOR'S SUBMITTAL**



Date: 5/5/2021

Submittal No.: 16010-001-A

**To: Stantec**  
 901 Ponce de Leon Blvd, Suite 900  
 Coral Gables, FL 33134-3070

New Submittal       Re-Submittal

**FROM:** Giannetti Contracting Corp.  
 1801 NW 18th Street  
 Pompano Beach, FL. 33073

Project: Indoan Creek Village  
 Project No.: F-166  
 Specification Section No.: 16010

**SUBMITTAL TYPE:**     Shop Drawing       Sample       Informational

The following items are hereby submitted:

| Number of Copies | Description of Item Submitted<br>(Type, Size, Model Number,<br>Etc.) | Spec. and<br>Para. No. | Drawing or<br>Brochure Number | Contains Variation<br>to Contract |     |
|------------------|--|------------------------|-------------------------------|-----------------------------------|-----|
|                  |  |                        |                               | No                                | Yes |
| 1                | Light Fixture and Pole   | 16010                  |                               | X                                 |     |
|                  |  |                        |                               |                                   |     |
|                  |  |                        |                               |                                   |     |
|                  |  |                        |                               |                                   |     |
|                  |  |                        |                               |                                   |     |
|                  |  |                        |                               |                                   |     |
|                  |  |                        |                               |                                   |     |
|                  |  |                        |                               |                                   |     |
|                  |  |                        |                               |                                   |     |
|                  |  |                        |                               |                                   |     |

CONTRACTOR hereby certifies that (i) CONTRACTOR has complied with the requirements of Contract Documents in preparation, review, and submission of designated Submittal and (ii) the Submittal is complete and in accordance with the Contract Documents and requirements of laws and regulations and governing agencies.

By: Ilia Lyssenko, Project Manager



**ANIXTER**

# INDIAN CREEK PUBLIC SAFETY LIGHTING SUBMITTALS

**SOUTH FLORIDA ELECTRICAL CONSULTANTS**

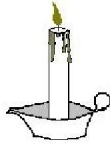
MIAMI, FL

**PREPARED BY**

**GIO ELGUEZABAL**

11420 NW 122<sup>ND</sup> ST MAMI, FL 33178 | TEL: 305.704.5450 | MOB: 786.326.2374 |

GIO.ELGUEZABAL@ANIXTER.COM



# Transmittal

Power & Lighting Systems, Inc.  
3832 Shipping Avenue  
Miami FL 33146  
Phone: (305) 444-8520  
**From: Nick Hoyos**

**Project** Indian Creek Public Safety Improvement  
**Master Plan**

**Quote#** MIA21-150391

**Location** Indian Creek FL  
Contact:

ATTACHED WE ARE SENDING YOU 1 COPY OF THE FOLLOWING ITEM:

- |                                   |   |        |
|-----------------------------------|---|--------|
| <input type="checkbox"/> Drawings | <input type="checkbox"/> Specifications | Other: |
| <input type="checkbox"/> Prints   | <input type="checkbox"/> Information    |        |
| <input type="checkbox"/> Plans    | <input type="checkbox"/> Submittals     |        |

THESE ARE TRANSMITTED FOR:

- |  |   |                                 |
|--|---|---------------------------------|
| <input type="checkbox"/> Prior Approval        | <input type="checkbox"/> Resubmittal for Approval | <input type="checkbox"/> Record |
| <input type="checkbox"/> Approval              | <input type="checkbox"/> Corrections              | Bids due on:                    |
| <input type="checkbox"/> Approval as Submitted | <input type="checkbox"/> Your Use                 | Other:                          |
| <input type="checkbox"/> Approval as Noted     | <input type="checkbox"/> Review and Comment       |                                 |

**Type**

**MFG**

**Part**

Hapco

[SKJYOPP43950B-014](#)

Sentry Electric, LLC

[SWB NS NB IC LEDV29B-1.05A 827](#)

[KHT2 SMS](#)

**Item Note:** SMS - Marine Shield Finish

# Sentry ELECTRIC SWB Estate Fixture

**CONSTRUCTION:**

All structural components including hood and finial to be of high-strength cast aluminum. Polycarbonate panels, hood and base shall surround and create a weather tight chamber for the internal components and optical assembly.

**DIMENSIONS:** (h x octagon)

(33" x 18")

**WEIGHT:** (approximate)

40 pounds

**OPTICAL:**

LED module with optic may create symmetrical and asymmetrical light distributions.

**ELECTRICAL:**

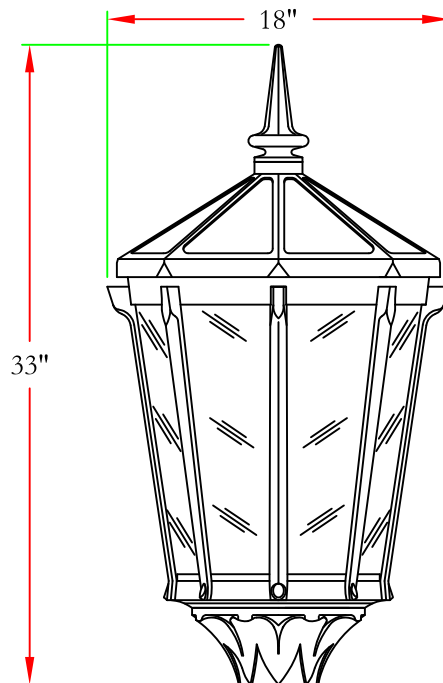
Meets U.L. 1598 and 8750 standards for safety. Driver shall provide constant current. The system includes surge protection per IEEE/ANSI C62.41.2. Luminaire shall be grounded.

**FINISH:**

All components shall be finished with high gloss Super Durable polyester powder coat paint to be applied utilizing a multi-stage process that includes phosphate pretreatment, electrostatic powder application, and convection curing. Color to be specified.

**MOUNTING:**

Mounts to a Ø3" by 3" tall tenon. (3) 3/8"-16 UNC stainless steel allen head cup point set screws secure luminaire to post top tenon. All mounting hardware shall be stainless steel.



Catalog #:  
**SWB-NS-NB-IC-LEDV29B-1.05A-827-KHT2-SMS**  
 Color: **BLACK**

**VOLTAGE**

- 120-277V (Standard, not available with BPC)
- 120V
- 208-277V

**OPTIONS:**

Light Distribution:

- KHT5 Type V
- KHT4 Type IV
- KHT3 Type III
- KHT2 Type II

Luminaire Wattage:

- LEDV29B-1.05A 1050mA, 58 Watt
- LEDV29B-0.7A 700mA, 38 Watt
- LEDV18C-0.7A 700mA, 26 Watt

CRI, CCT:

- 827 80CRI, 2700K CCT
- 830 80CRI, 3000K CCT
- 835 80CRI, 3500K CCT
- 840 80CRI, 4000K CCT

-BPC Photocell (Button Type)  
 (Advise Voltage)

-TLR Twistlock Photocell  
 receptacle (Replaces finial)

UNAUTHORIZED USE, MANUFACTURE OR REPRODUCTION IN WHOLE OR IN PART IS PROHIBITED. DRAWING, DESIGN AND OTHER DISCLOSURES ARE THE PROPERTY OF

SENTRY ELECTRIC LLC  
 FREEPORT, N.Y. 11520

**Sentry Sentry Electric LLC**  
 185 Buffalo Avenue, Freeport, New York 11520

Tel 516-379-4660

Fax 516-378-0624

www.sentrylighting.com

E-mail: info@sentrylighting.com

Indian Creek Village, FL

DATE 11-11-2020

DRAWN L.A.

SCALE 1=10

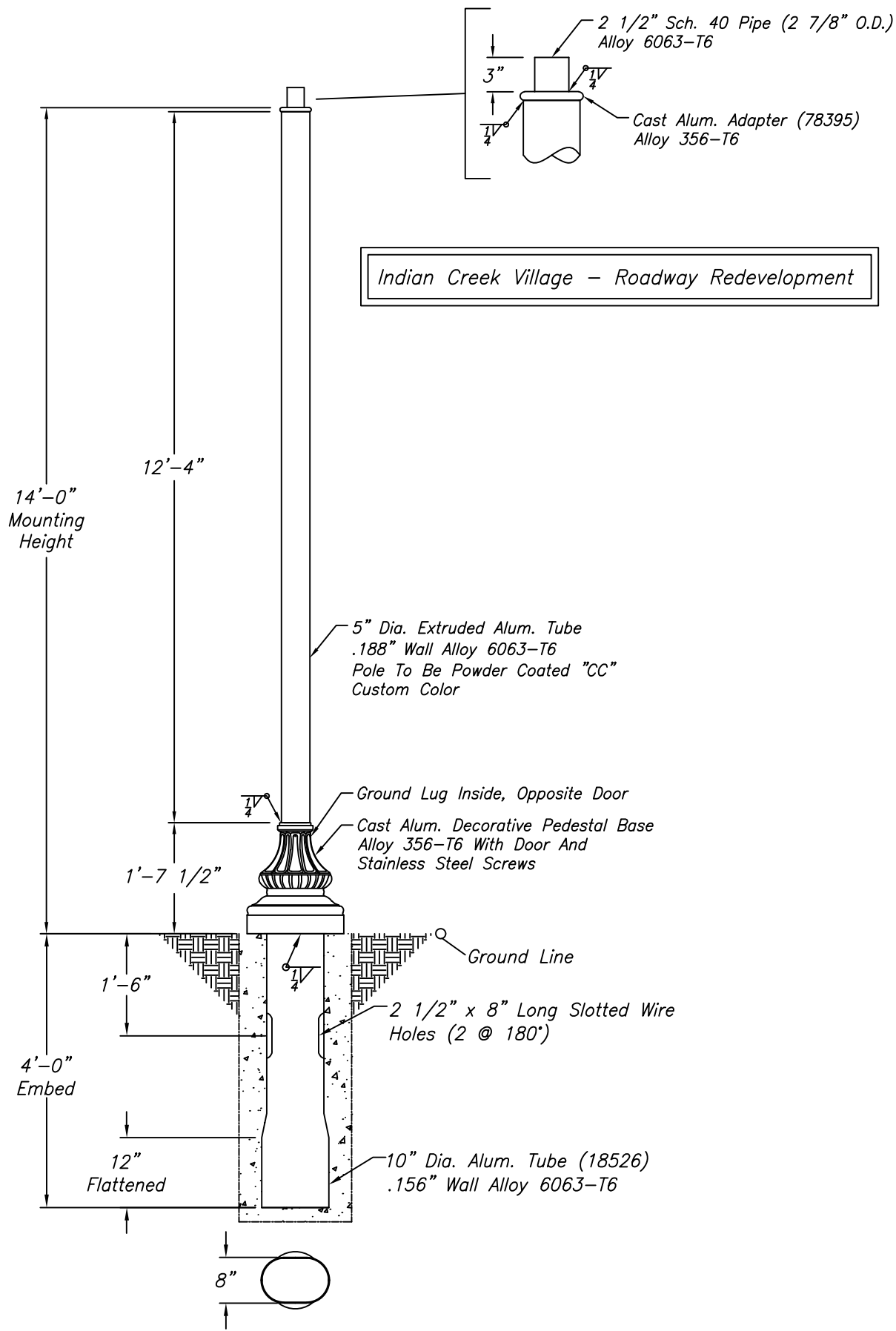
DWG NO.

REV

ENGINEER S. KAY

SHEET 1 OF 1

20-241-S1848-C108



Indian Creek Village – Roadway Redevelopment

B32587X

WARNING: DO NOT INSTALL LIGHTING POLES WITHOUT LUMINAIRES

| NO. | REVISIONS | DATE |
|-----|-----------|------|
|     |           |      |
|     |           |      |
|     |           |      |
|     |           |      |
|     |           |      |
|     |           |      |
|     |           |      |
|     |           |      |

|               |  |                               |                   |
|---------------|--|-------------------------------|-------------------|
|               |  | TITLE ARLEN SERIES LIGHT POLE |                   |
|               |  | CUSTOMER                      |                   |
| Abingdon, Va. |  | SCALE 16                      | DATE 05/30/2019   |
|               |  | BY DJY                        | DWG. NO.          |
|               |  | CHK'D                         | SKJYOPP43950B-014 |